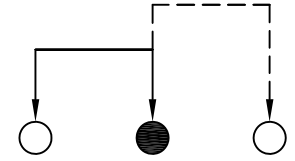
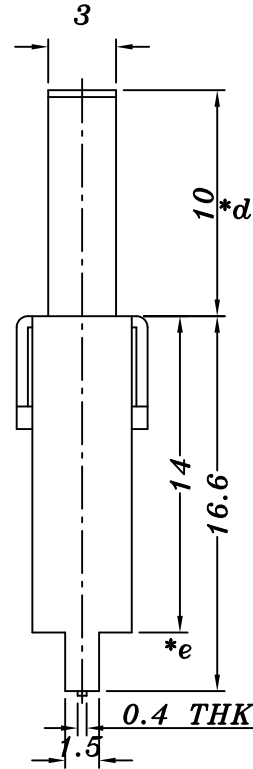
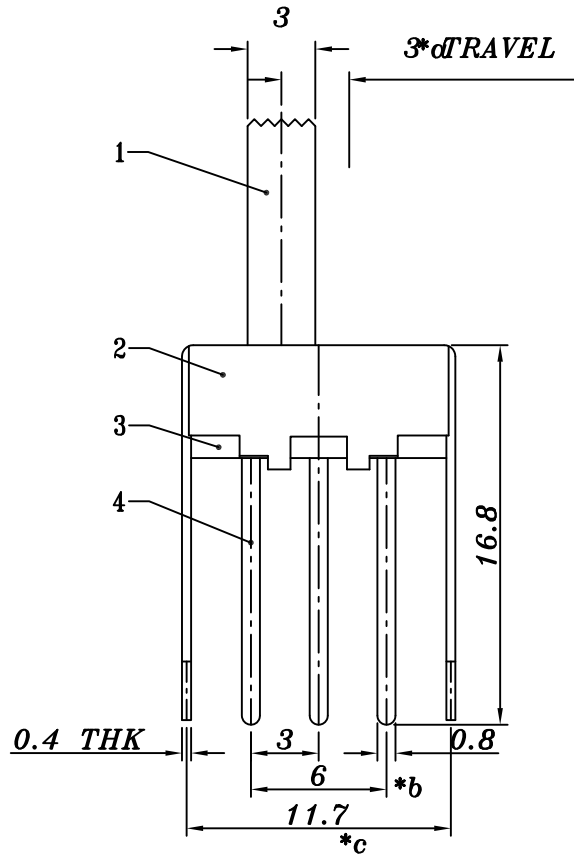
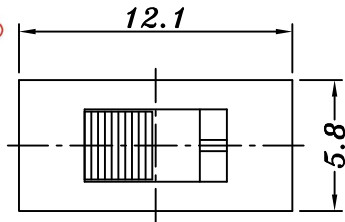
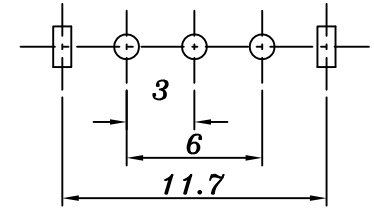


**Kinghelm®**



**SCHEMATIC (NON-SHORTING)**



**P.C.B LAYOUT  
BOTTOM VIEW**

				TOLERANCE UNLESS SPECIFIED							
6	SPRING	STEEL WIRE	1	NATURAL	UP TO 5mm: ±0.1	ANGULAR	1				
5	CONTACT	BRASS STRIP	1	Ag PLATED	ABOVE 5mm: ±0.2	±1°	NO	DATE	REVISIONS		BY APPD
4	TERMINAL	BRASS STRIP	3	Ag PLATED	TITLE: VERTICAL SLIDE SWITCH		UNIT : MM	ROHS COMPLIANT	DWN		
3	BASE	PHENOLIC RESIN	1	NATURAL	MODEL: SS12F24		SCALE: 1:1		CHK'D		
2	FRAME	STEEL STRIP	1	Ni PLATED	深圳市金航标电子有限公司		www.kinghelm.com.cn		APPD		
1	KNOB	PA66	1	BLACK	KH-SS12F24-G5-14		0755-28190160		PRO.AGL:		REV : A
NO.	PART NAME	MATERIAL	QTY	FINISHING							