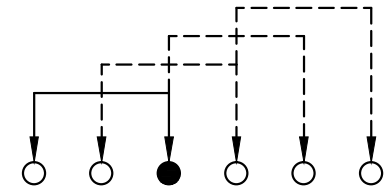
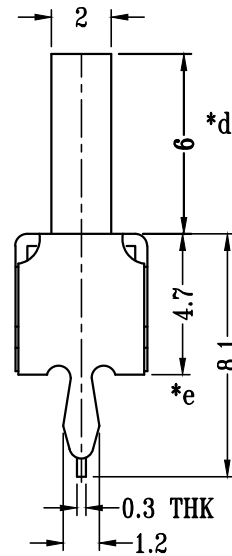
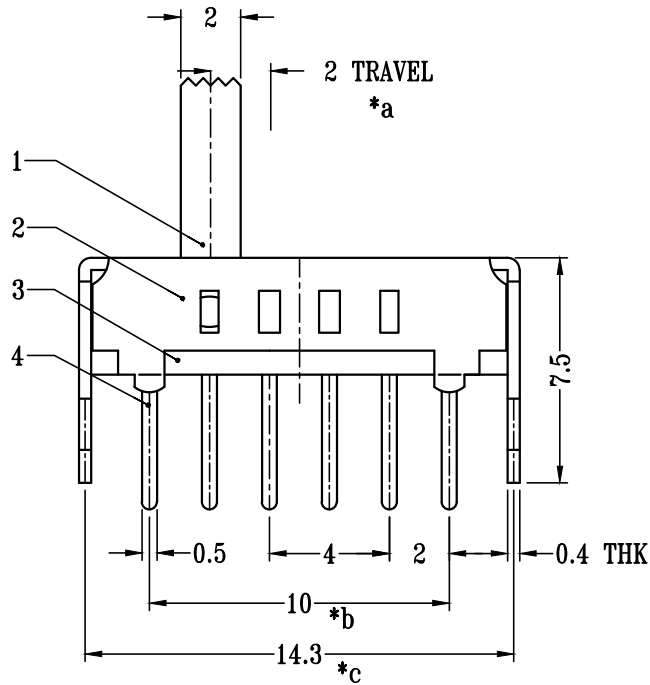
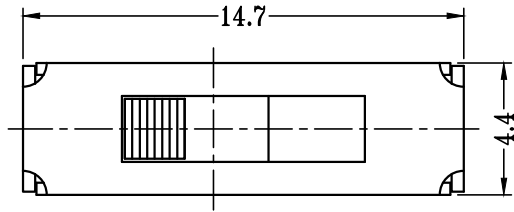
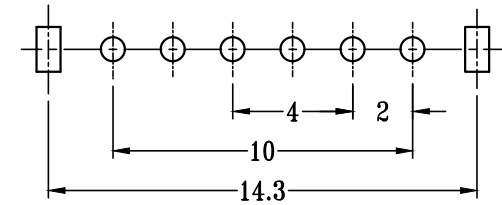


CAD FILE:

**Kinghelm®**



SCHEMATIC (SHORTING)



P.C.B LAYOUT  
BOTTOM VIEW

注：“\*”口表示关键尺寸(5个).

8					TOLERANCE				
7					UNLESS SPECIFIED				
6	SPRING PLATED	PBS STRIP	1	NATURAL	WITHIN 1.5mm : ±0.1mm	A	2019-8-13	初版	李燕
5	CONTACT CLIP	PBS STRIP	1	Ag PLATED	OVER 1.5mm : ±0.2mm	ISSUE	DATE	DESCRIPTIONS OF REVISION	APPD.
4	TERMINAL	BRASS STRIP	6	Ag PLATED	TITLE : VERTICAL SLIDE SWITCH		UNIT : mm	DRWG NO.: SS14D01	
3	BASE	PHENOLIC RESIN	1	NATURAL	MODEL: SS14D01		SCALE: 4:1	DWN.	李小庆 2019-8-13
2	FRAME	STEEL STRIP	1	Ni PLATED	深圳市金航标电子有限公司		www.kinghelm.com.cn	CHK'D	刘明 2019-8-13
1	KNOB	POM	1	BLACK	KH-SS14D01-VG3		0755-28190160	APPD.	李燕 2019-8-13
NO.	PARTS	MATERIALS	Q'TY	FINISH					