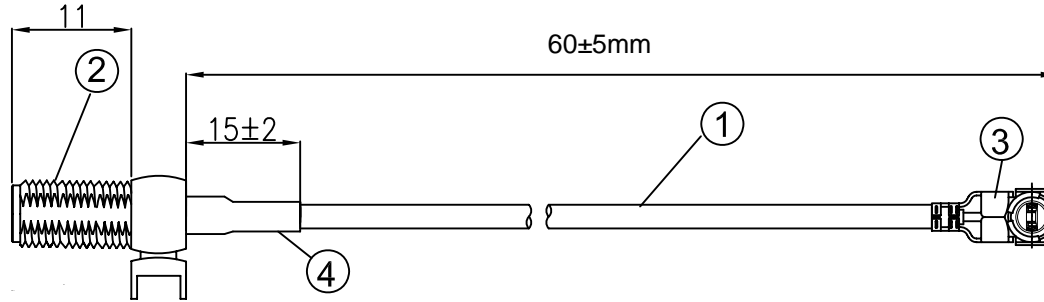


Kinghelm®

型号: KH-I PEX-SMAKWE-RG137-Q60MM



NOTES:

1. ELECTRICAL:
 - 1.1. VOLTAGE RATING:DCV 300V 10MS
 - 1.2. CONDUCTANCE RESISTANCE: 3.0 OHM/MAX.
 - 1.3. INSULATION RESISTANCE: 5.0M OHM/MIN.
 - 1.4. THE CABLE SHOULD BE 100% ELECTRICAL TEST
 - 1.5. IT SHOULD BE NO ANY OPEN/SHORT, MISWIRING AND INTERMITTENT FAILURES.
2. MATERIAL:
 - 2.1. SEE TABLE
3. ALL COMPONENTS ARE RoHS COMPLIANT.

ITEM NO.	PART NUMBER	DESCRIPTION	QTY.
④	套管	黑色热缩套管, OD:2.0MM	AS
③	端子	高仿I-PEX, 1.37端子, 镀金	1
②	接头	SMA母头母针, 带4个脚, 11牙, 镀金, 外螺内孔	1
①	同轴线	RF1.37黑线, OD: 1.37mm	AS

深圳市金航标电子有限公司

WWW.BDS666.COM

KH-I PEX-SMAKWE-RG137-Q60MM

0755-83044319

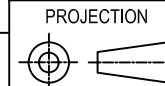
ALL DIMENSION
ARE IN MM

DRAWN	James	DATE	2020-04-15
CHKD.	Frank		2020-04-15

COMPUTER GENERATED
IN SOLIDWORKS

APPD.	Scott		2020-04-15
-------	-------	--	------------

DO NOT SCALE
THIS DRAWING



GENERAL TOLERANCE FOR
ANGLES X.X X.XX X.XXX
± 1° ± 0.3 ± 0.25 ± 0.150

I-PEX1.37 TO SMA /F L=60 mm

SIZE Number

B

REV

A

SCALE: Free

TYPE

SHEET 1 OF 1

CUSTOMER P/N: