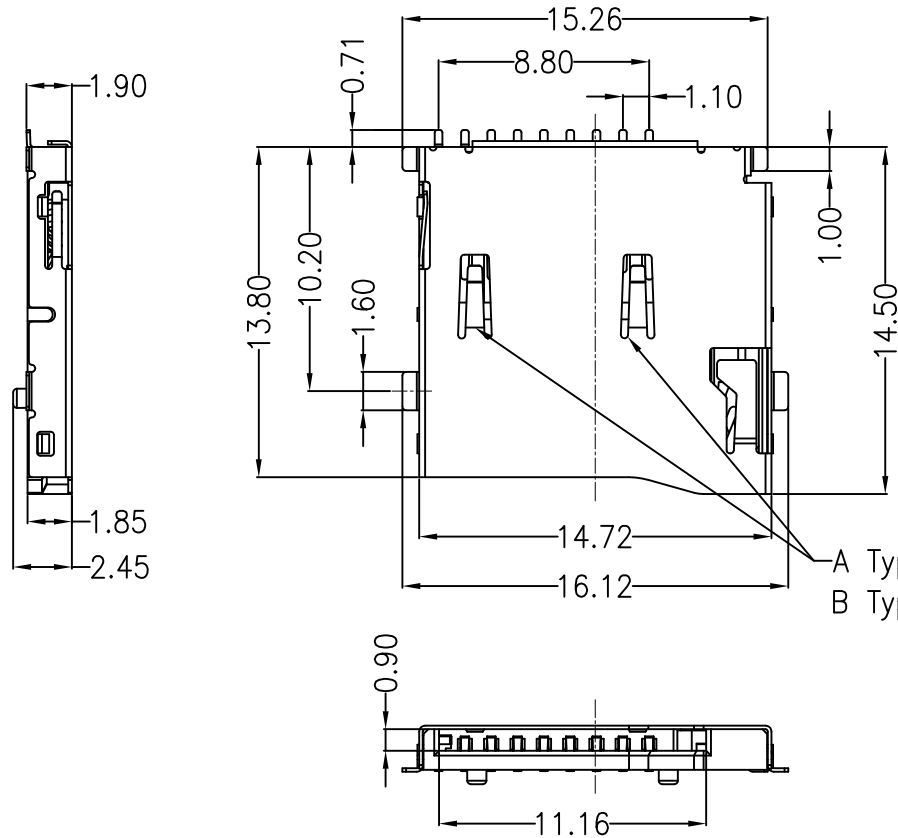


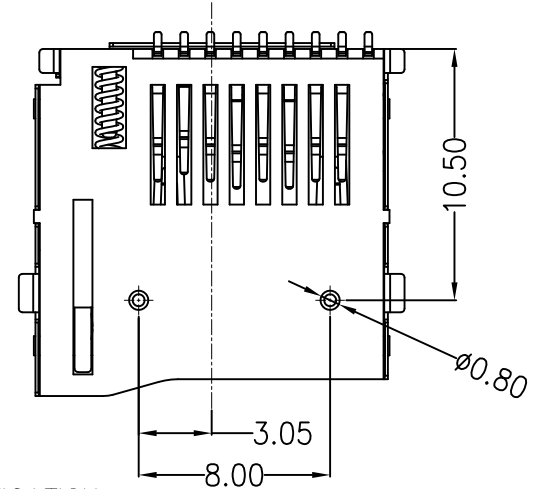
所有原材料、制程、电镀，必须符合ROHS环保要求

Kinghelm®

THIS DRAWING IS CONTROLLED DOCUMENT FOR COTEX LTD. IT IS SUBJECT TO CHANGE THAT THE ENG. CONTROL ORGANIZATION SHOULD BE CONTACTED FOR LATEST REVISION.

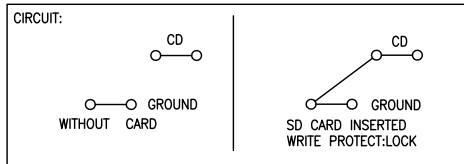


A Type:with spring
B Type:without spring



SPECIFICATION

- MATERIAL:
HOUSING: HIGH TEMPERATURE THERMOPLASTIC UL 94V-0, COLOR: BLACK
CONTACT: COPPER ALLOY
COVER: COPPER ALLOY
- PLATING:
UNDERPLATE: NICKEL
CONTACT AREA: GOLD OVER NICKEL
SOLDER AREA: TIN PLATING OVER NICKEL(LEAD FREE).
- COPLANARITY MUST BE WITHIN 0.10mm



深圳市金航标电子有限公司		www.kinghelm.com.cn		
KH-TF-07F		0755-28190160		
DIMENSIONS INIT: mm UNLESS OTHERWISE SPECIFIABLE DIMENSION TOLERANCE X.X: ± 0.25 X.XX: ± 0.15 X.XXX: ± 0.10 ANGULAR: ± 3°	PRODUCT NAME : TF push Card Connector	DRAWING: <i>img</i>	DATE: 2011/01/01	
	PRODUCT NO. : KNF1110X-AXX082	CHECK:	DATE:	
	DRAWING NO. : D-KNF1110X-AXX082	APPROVED:	DATE:	
			SCALE: <i>1:1</i>	DWG ID: C D
REVISION NO.	ECR NO.	DESCRIPTION	MARK	DATE
1		2	3	

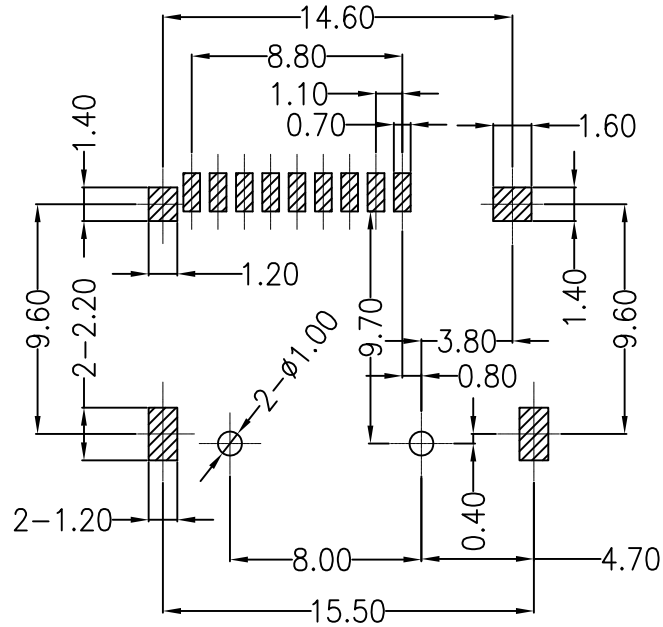
THIS INFORMATION IS CONFIDENTIAL AND IS DISCLOSE TO YOU ON CONDITION THAT NO FURTHER DISCLOSURE IS MADE BY YOU TO OTHER THAN COTEX LTD. PERSONNEL WITHOUT WRITTEN AUTHORIZATION FROM NTK LTD.

A
B
C
D
E
F

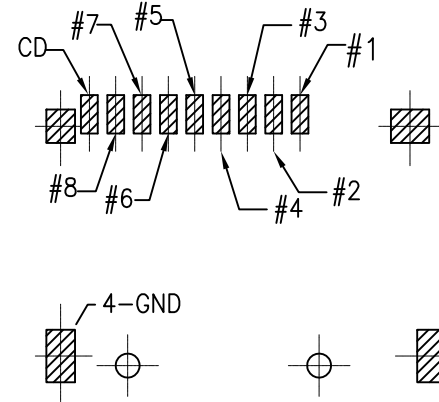


THIS DRAWING IS CONTROLLED DOCUMENT FOR COTEX LTD. IT IS SUBJECT TO CHANGE THAT THE ENG. CONTROL ORGANIZATION SHOULD BE CONTACTED FOR LATEST REVISION.

THIS INFORMATION IS CONFIDENTIAL AND IS DISCLOSED TO YOU ON CONDITION THAT NO FURTHER DISCLOSURE IS MADE BY YOU TO OTHER THAN COTEX LTD. PERSONNEL WITHOUT WRITTEN AUTHORIZATION FROM NTK LTD.



P.C.B LAYOUT
(TOLERANCE ±0.05)



PIN ASSIGNMENT

Order Information:

KNF1110 X- A XX 082

TYPE SPEC.:

- 1: SHELL WITH SPRING AND A TYPE TERMIALS (A TYPE)
- 2: SHELL WITHOUT SPRING AND A TYPE TERMIALS (B TYPE)
- GOLD PLATING THE NUMBER OF:
 - 01: GOLD PLATING THE NUMBER OF 1u"
 - 03: GOLD PLATING THE NUMBER OF 3u"

PIN NO.	PIN ASSIGNMENT
1#	DAT2
2#	CD/DAT3 ²
3#	CMD
4#	VDD
5#	CLK
6#	VSS
7#	DAT0
8#	DAT1

深圳市金航标电子有限公司

www.kinghelm.com.cn

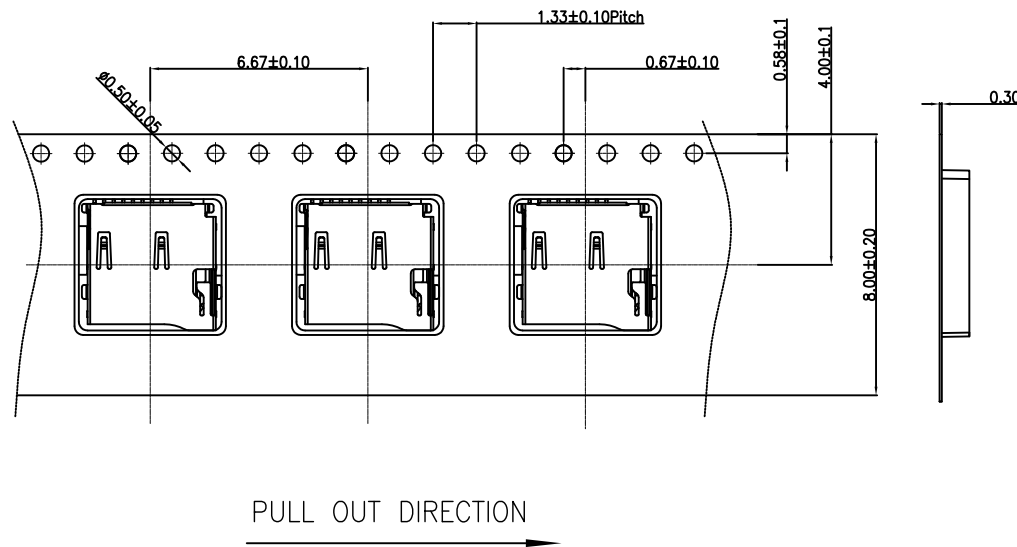
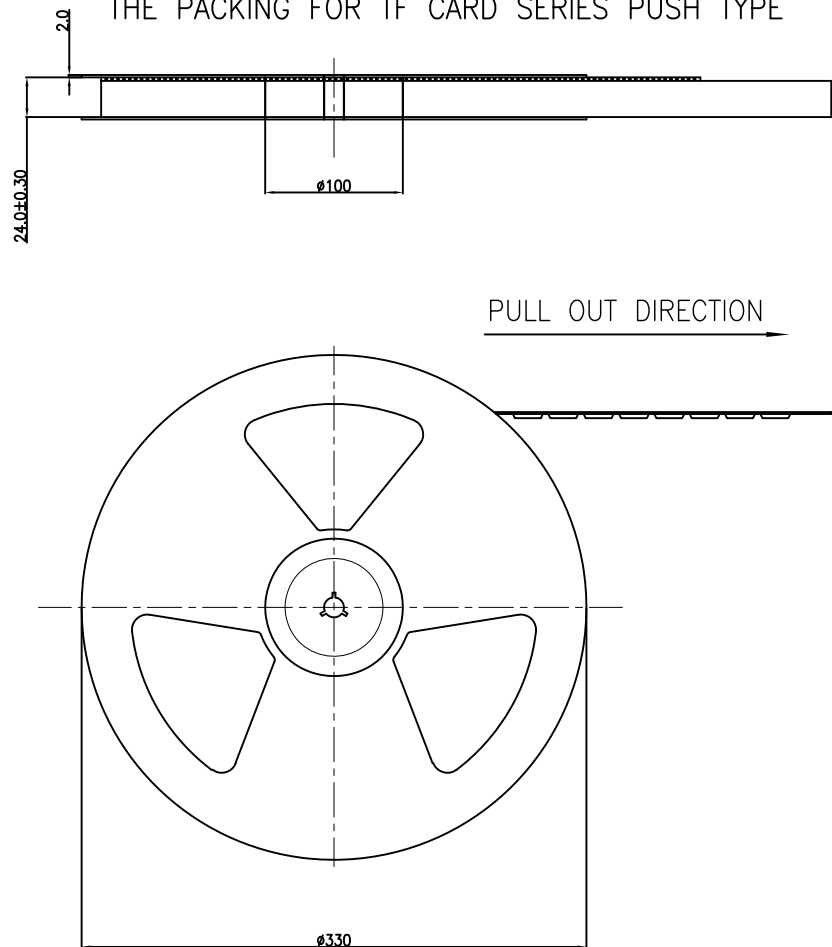
KH-TF-07F

0755-28190160

DIMENSIONS INIT: mm UNLESS OTHERWISE SPECIFIABLE DIMENSION TOLERANCE X.X: ± 0.25 X.XX: ± 0.15 X.XXX: ± 0.10 ANGULAR: ± 3°	PRODUCT NAME : TF push Card Connector	DRAWING: <i>img.h</i>	DATE: 2011/01/01
	PRODUCT NO. : KNF1110X-AXX082	CHECK:	DATE:
	DRAWING NO. : D-KNF1110X-AXX082	APPROVED:	DATE:
			SCALE: <i>i:i</i>
		REV.: A	PAGE: 2 OF 2

REVISION NO.	ECR NO.	DESCRIPTION	MARK	DATE
1				
2				
3				

THE PACKING FOR TF CARD SERIES PUSH TYPE



Note:

1. 1.10 sprocket hole pitch cumulative tolerance ± 0.2
2. Carrier camber is within 1 mm in 250mm.
3. Material: Black Conductive Polystyrene Alloy
100 % recyclable.
4. All dimensions meet EIA-481-B requirements.
5. Thickness: 0.3 ± 0.05 mm.
6. Component load per 13" reel: 1000 pcs.

THIS DRAWING IS CONTROLLED DOCUMENT FOR COTEX LTD. IT IS SUBJECT TO CHANGE THAT THE ENG. CONTROL ORGANIZATION SHOULD BE CONTACTED FOR LATEST REVISION.

THIS INFORMATION IS CONFIDENTIAL AND IS DISCLOSE TO YOU ON CONDITION THAT NO FURTHER DISCLOSURE IS MADE BY YOU TO OTHER THAN COTEX LTD. PERSONNEL WITHOUT WRITTEN AUTHORIZATION FROM NTK LTD.

REVISION NO.	ECR NO.	DESCRIPTION	MARK	DATE
1				
2				
3				

深圳市金航标电子有限公司		www.kinghelm.com.cn	
KH-TF-07F		0755-28190160	
DIMENSIONS INIT: mm UNLESS OTHERWISE SPECIFIABLE DIMENSION TOLERANCE X.X: ± 0.25 X.XX: ± 0.15 X.XXX: ± 0.10 ANGULAR: $\pm 3'$	PRODUCT NAME : TF push Card Connector	DRAWING: <i>mg.li</i>	DATE: 2011/01/01
	PRODUCT NO. : KNF1110X-AXX082	CHECK:	DATE:
	DRAWING NO. : D-KNF1110X-AXX082	APPROVED:	DATE:
			SCALE: <i>i:i</i>
		REV.: <i>A</i>	PAGE: <i>i OF i</i>