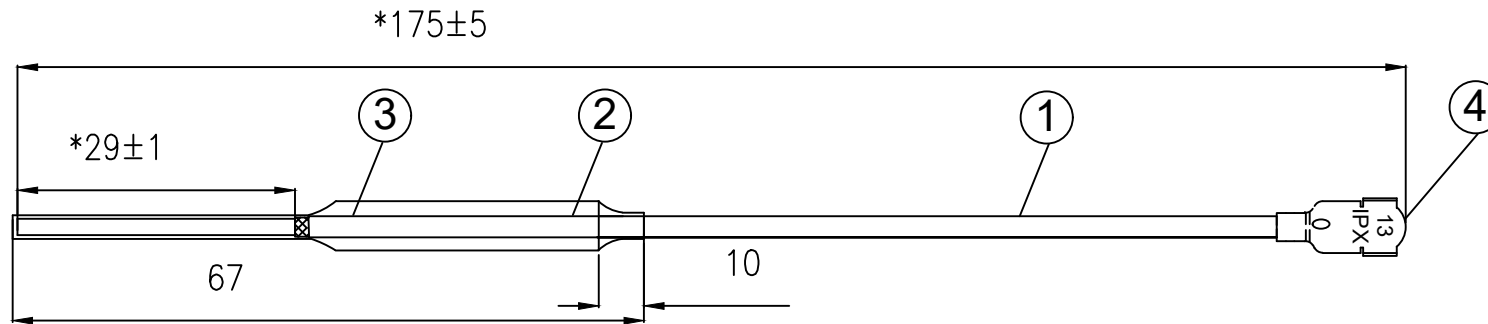


Kinghelm®

REVISIONS					
REV	NUMBER	DESCRIPTION	DWN	CHK	DATE
A		DESIGN	James		9/26



NOTES:

1. ELECTRICAL:
 - 1.1. VOLTAGE RATING:DCV 300V 10MS
 - 1.2. CONDUCTANCE RESISTANCE: 3.0 OHM/MAX.
 - 1.3. INSULATION RESISTANCE: 5.0M OHM/MIN.
 - 1.4. THE CABLE SHOULD BE 100% ELECTRICAL TEST
 - 1.5. IT SHOULD BE NO ANY OPEN/SHORT, MISWIRING AND INTERMITTENT FAILURES.
2. MATERIAL:
 - 2.1. SEE TABLE
3. ALL COMPONENTS ARE RoHS COMPLIANT.

ITEM NO.	PART NUMBER	DESCRIPTION	QTY.
④	端子	高仿I-PEX 1.13端子, 镀金	1
③	套管	OD:4.5* 67 mm 套管	1
②	铜管	铜管: 4.4*24mm, 1.13线用	1
①	同轴线	RF1.13灰色同轴线, OD:1.13mm	AS

深圳市金航标电子有限公司 www.kinghelm.com.cn

KH1NB(2.4G)C500-03-A/3 0755-28190160

ALL DIMENSION ARE IN MM	DRAWN	James	DATE	
	CHKD.	Frank	2019-06-01	TITLE
COMPUTER GENERATED IN SOLIDWORKS DO NOT SCALE THIS DRAWING	APPD.	Scott	2019-06-01	I-PEX TO OPEN WIFI CABLE, L=175MM
	PROJECTION			
GENERAL TOLERANCE FOR ANGLES X.X X.XX X.XXX ±1° ±0.3 ±0.25 ±0.150			SCALE:Free	TYPE
CUSTOMER P/N:			REV	A
			SHEET 1 OF 1	