



SHENZHEN KINGHELM ELECTRONIC CO., LTD.

PRODUCT SPECIFICATION

Customer:

Customer's part number: KH-DW-K580-WZ

Product description: BD + GPS Antenna

Uni Link's part number: MS-BD+GPS-3

Issue Date: 2018-12-30

Note: 1575.42 / 1561MHz, SMA male , RG174 3m

Application and Features

Applications :

- 1: 1575.42 / 1561Mhz System
- 2: Global Positioning System
- 3: Vehicle fixing position

Features :

- 1: Weight is light
- 2: RHCP Polarization
- 3: RoHS compliant

INDEX

- 1、 PRODUCT TECHNICAL SPECIFICATION
- 2、 PRODUCT PICTURE
- 3、 PRODUCT SPECIFICATION CHART
- 4、 MECHANICAL CHARACTERISTICS
- 5、 DURABILITY
- 6、 PATCH TEST CURVE
- 7、 LAN TEST CURVE

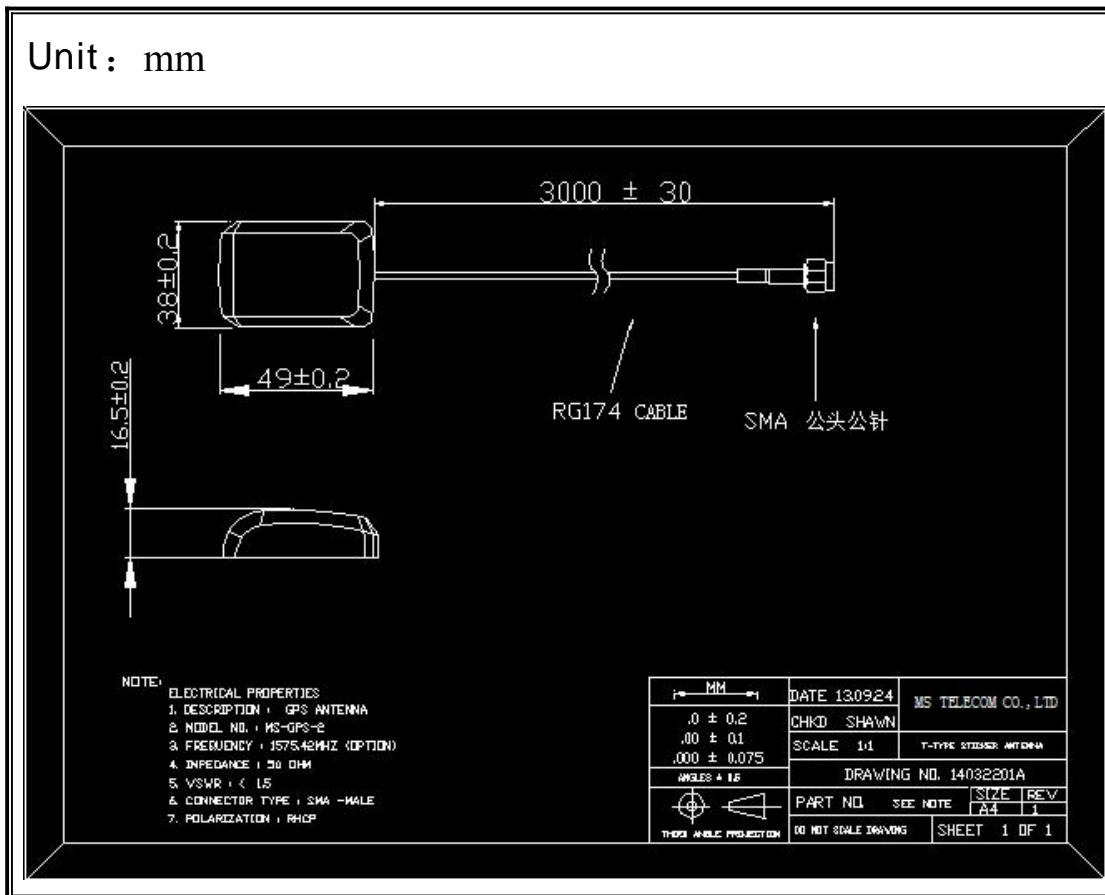
1、 PRODUCT TECHNICAL SPECIFICATION

| Electrical Specifications | |
|---------------------------|------------------------|
| Frequency Range (MHz) | 1575.42 ± 2 / 1561 ± 2 |
| Bandwidth (MHz) | 4 |
| Noise Figure (Typical) | 1.5(+25°C±10°C) |
| DC current (Typical) | 9.5mA(At 3.0V) |
| Input Impedance (Ω) | 50 |
| V.S.W.R | ≤ 2.0 |
| Gain (dBi) | 28 |
| Max Input Power (w) | 5 |
| Mechanical Specifications | |
| Antenna Dimension-mm (mm) | 49*38 |
| Connect Type | SMA male |
| Input Voltage (V) | 3-5 |
| Work Temperature °C | -40- +80 |
| Pole Diameter-mm | Φ 40-50 |
| Cable length-mm | 3000 + / - 30 |
| Weight (g) | 90 |

2、PRODUCT PICTURE



3、PRODUCT SPECIFICATION CHART.



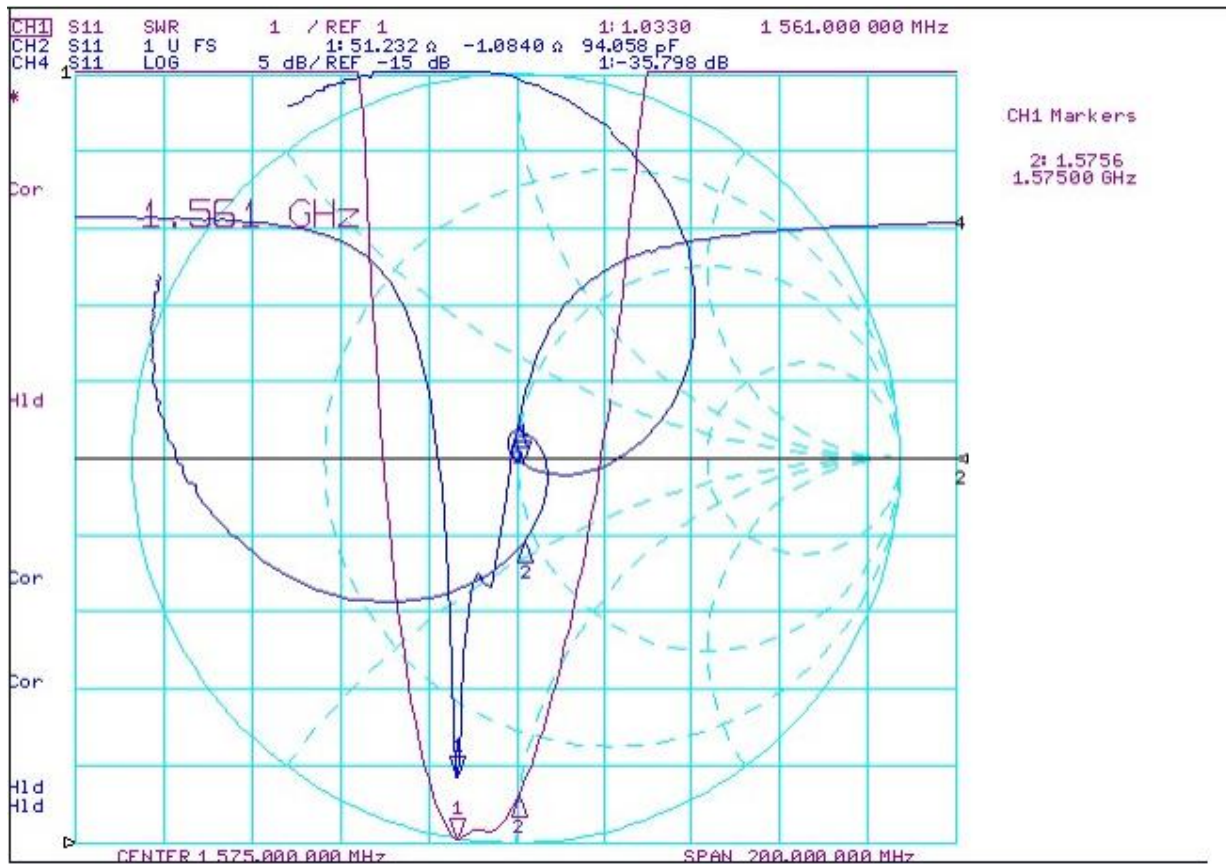
4、MECHANICAL CHARACTERISTICS)

| | | | |
|---|----------------|---|---|
| 1 | BENDING TEST | Put load 120g to 30cm cable from the end of the connector, fixed joints, swaying test at an angle of 60 degrees , test features after 1000 times | after 1000 times test no visible damage |
| 2 | STRENG TEST | Put 15pounds static load to the end of the cable continue 1 minute | After test no visible damage |
| 3 | VIBRATION TEST | the X-axis direction for 120 minutes, and the Y-axis direction 120 minutes, the Z-axis direction 240 minutes as vibration testing of 1.1mm amplitude and 33.30Hz/sec of frequency | After test no visible damage |

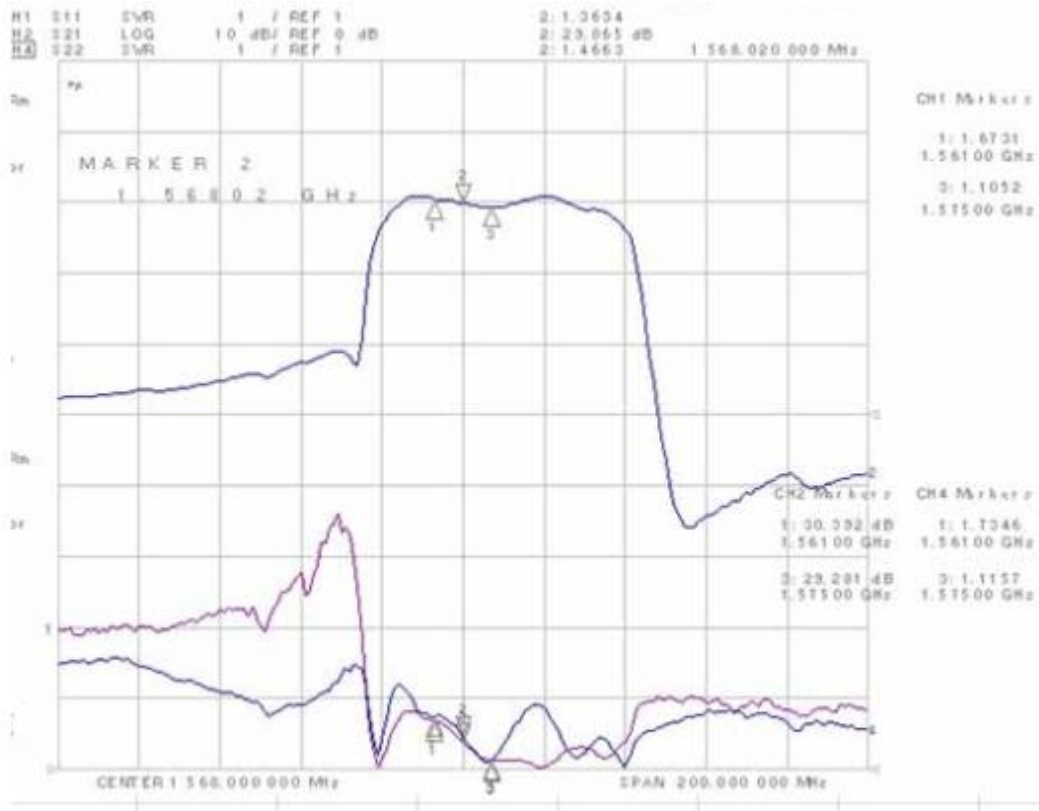
5、DURABILITY

| | | | |
|---|---------------|---|--|
| 1 | HEAT TEST | 85+2 °C for 24 hours, after keep in normal condition for 30min the to test. | All characteristic range is 30% of the initial value |
| 2 | HUMIDITY TEST | 40+2 °C 90-95%RH for 24hours, after keep in normal condition for 30min the to test. | |
| 3 | COLD TEST | -40+2 °C for 24hours, after keep in normal condition for 30min the to test. | |

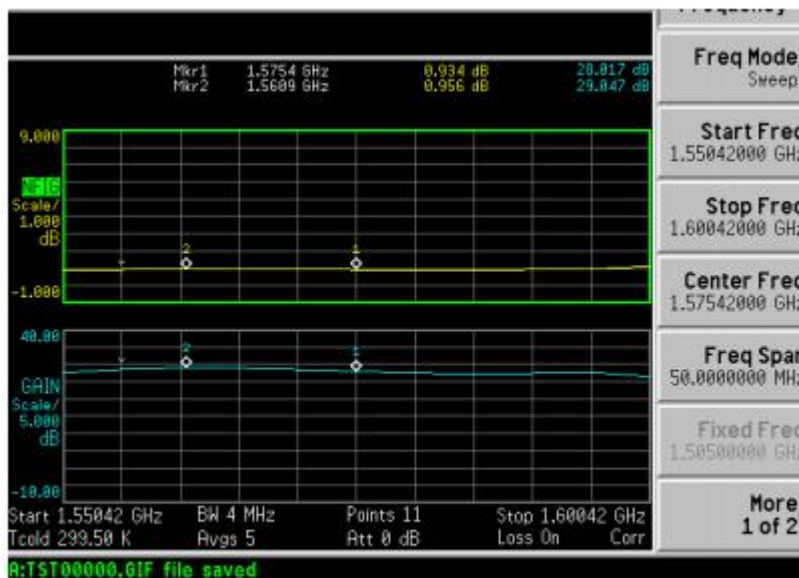
6、Patch Test Curve



7、LAN Test Curve



Gain Figure :S21=29dB



Noise Figure:N=0.95