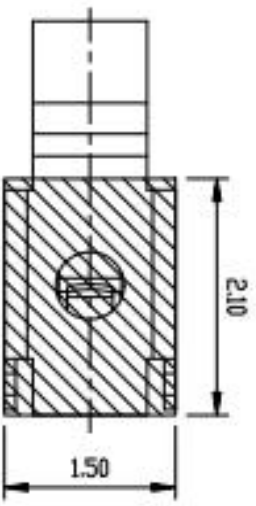
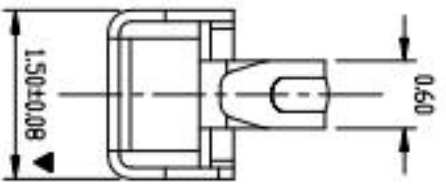
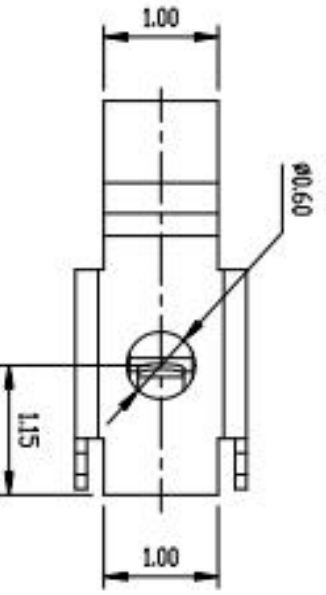
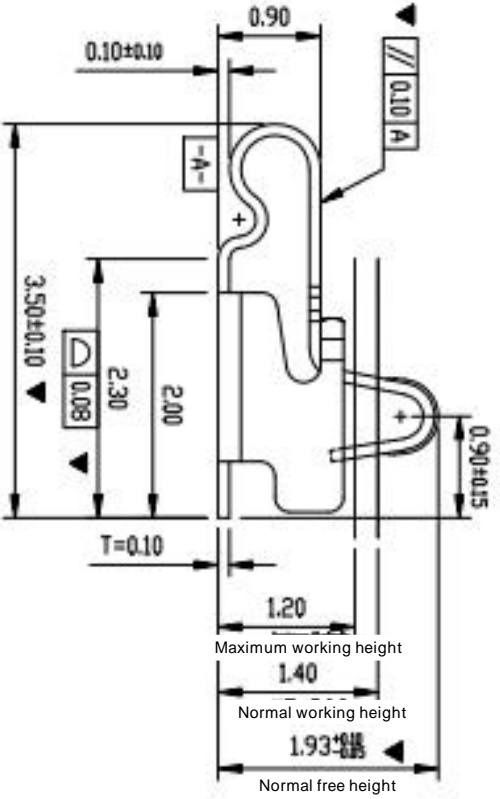
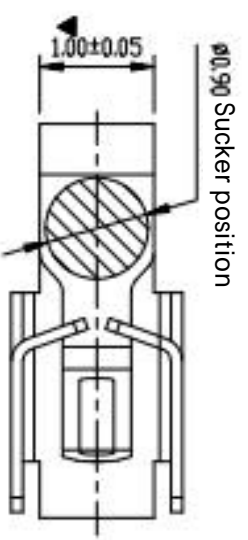
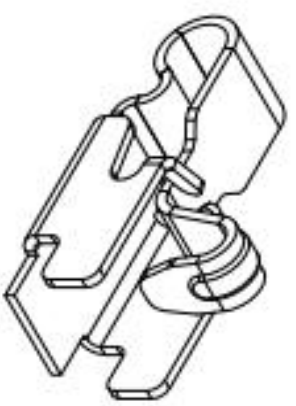


Rev.	ECN Number	Description	Date	Drawn	Checked	Approved



Size of bonding pad
Dimensional Tolerance ±0.05



Specification

1. Material: stainless steel SUS304, T = 0.10 ± 0.005;
- ▼ 2. The welding and contact surfaces of the Tin terminal shall be free of burrs, and the maximum size of burrs in other parts shall be 0.03mm;
3. Twisting: 45° / 1000mm, arch 5mm/1000mm;
4. Dimensions marked with "▼" shall be measured and inspected with emphasis;
5. Unmarked R Max R0.13;
6. Electroplating must be inspected by 48-hour salt spray test;
7. Life test > 20000 times The elasticity of the product shall be between 60gf and 80gf as required.
8. Ni 50-80u"min, soldering area gold-plating, contact area gold plating3U"MIN

GENERAL TOLERANCE		SCALE:	DRAWN	DATE	DWG. NO.	SHENZHEN KINGHELM ELECTRONIC CO., LTD.		REV.
XX ±0.50	X ±0.35	1:1	CHECK	DATE	681-0022A-1	WWW.BDS666.COM		A
X ±0.25	X' ±1.0'	UNIT: mm	APPROVE	DATE	PARTS NOT/INTENDED USED	KH-351519-TP		SHEET
XX ±0.15	XX' ±0.5'	SIZE: A4		DATE	F DX0022A1	0755-83044319		1/1