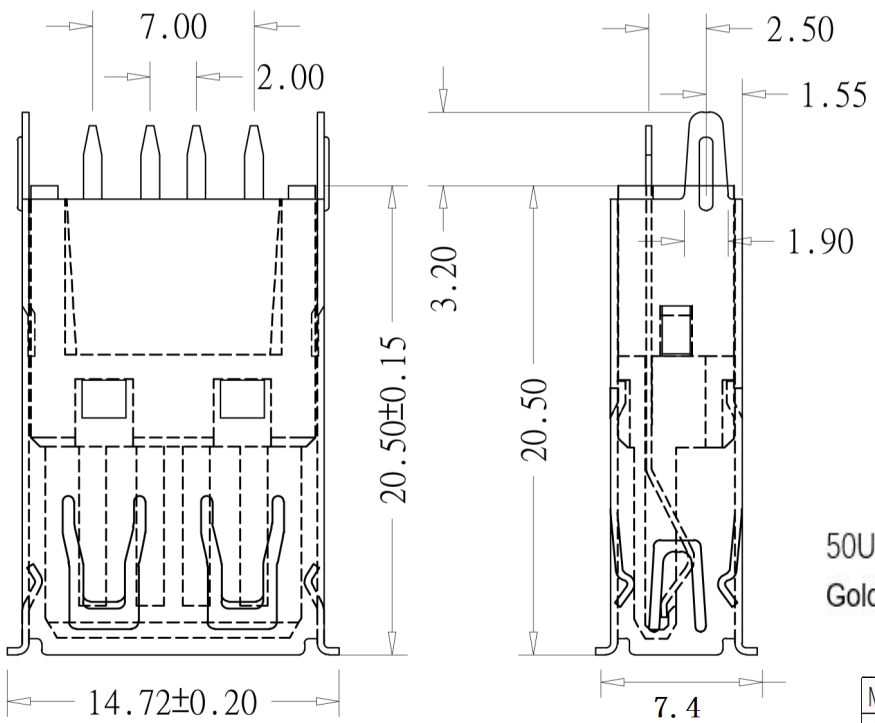
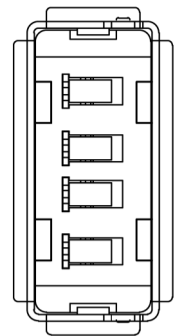
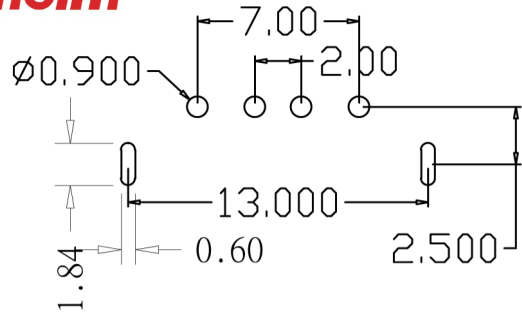


Kinghelm®

??	??	??	??	??	??
Mapx	Modification	Date	Draw	Approve	



Specifications:

- 1.Current Rating: 1.5A/contact terminal
- 2.Voltage Rating: 30V DC
- 3.Contact Resistance: 30 milliohms MAX
- 4.Dielectric withstanding Voltage: 500 V AC AT Sea Level
- 5.Insulation Resistance: 1000MEGA ohms MIN

Mechanical:

- 1.Connector Mate and Unmated Force
Mate force:3.57kgf(MAX)
Unmated force:1.02kgf(MIN)
- 2.Terminal Retention 1.0kgf(MIN)

Material

- 1.Housing: Hing Temperature Thermoplastics
- 2.Contact:Copper Alloy C2680
- 3.Shell: Copper Alloy C2680/SPCC

- 1.Contact: Plated Gold in Mating Area
Tin On Solder Tolls

50U "MIN" Tin is plated around the terminal, Gold-plated area 100-200U, Gold-plating 1U", 80U "(MIN) Tin is plated around the copper casing

Nickel Plating

MANUFACTURE DWG		SHENZHEN KINGHELM ELECTRONIC CO., LTD.				WWW.BDS666.COM	
TOLERANCE TABLE		KH-AF180ZJ-20.5-JB				0755-83044319	
.X±0.15	X.±5°	DATE	UNIT	MM	CHARTING	DWG NO.	
.XX±0.05	.X±2°	CHECKED	SCALE	1:1	DESIGN	Product Name	Short Receptacle
.XXX±0.02	.XX±1°	APPROVAL	VIEW			VER	SHEET