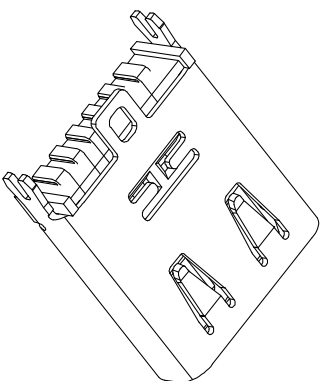
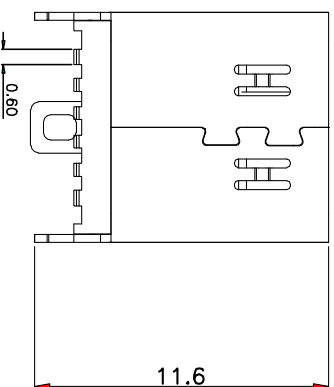
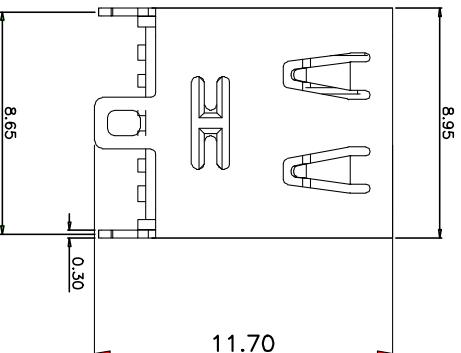
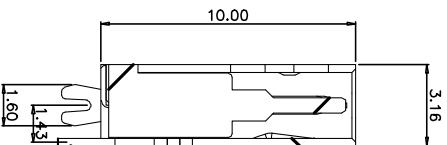
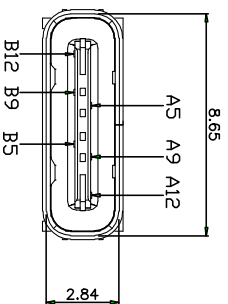
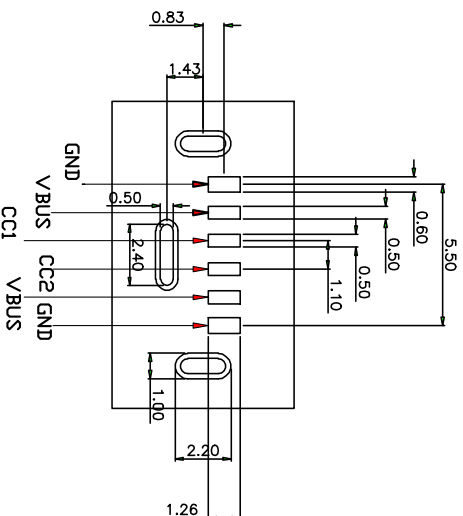
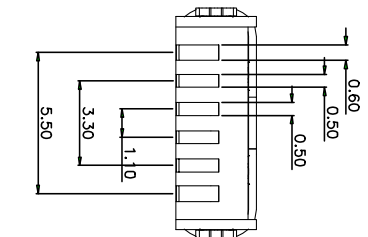


REV:	DESCRIPTION	ECN No.	NAME	DATE
A0			宋嘉红	2017-02-24



B12	GND
B9	VBUS
B5	CC2
A5	CC1
A9	VBUS
A12	GND
PIN	SIGNAL NAME



NOTES:

- MATERIAL:
 - MOLDING: LCP UL94 V-0
 - CONTACT: COPPER ALLOY.
 - GOLD PLATED Min ON CONTACT AREA, 100u" Min TIN (LEAD FREE) ON SOLDER AREA, SHELL: SUS304-H, T=0.30±0.03mm 50u" NICKEL PLATING OVER ALL.
- MECHANICAL:
 - INSERTION: 5~20N.
 - EXTRACTION: 8~20N AFTER TEST.
 - DURABILITY: 10000 CYCLES
- ELECTRICAL:
 - CURRENT: 5A FOR VBUS, 1.25A FOR GND PIN, 0.25A FOR OTHER
 - VOLTAGE: 20 V MAX
 - WITHSTANDING VOLTAGE: 100V AC R.M.S.
 - CONTACT RESISTANCE: 40mΩ MAX.
 - INSULATION RESISTANCE: 100MΩ MIN.
- ENVIRONMENTAL
 - TEMPERATURE RANGE -25°C ~ +85°C
- 尺寸标注事项: 者为首样全检, 重点管控尺寸.
- 产品符合RoHS标准

Table:

成品料号	零件名称	零件料号	材料 / 电镀
TX	端子 soldering 半镀金 绝缘材料 TX	SUS 304 R-H SUS 301 R-H SUS 301 R-H	NO PLATING Sn 80~200u" 电镀材料厚度.

深圳市金航标电子有限公司 www.BDS666.COM

KH-TYPE-C-L10.5-6P-STM 0755-83044319

X: ±0.35		X': ±1.5'		INTENDED USE:		TITLE:	
.XX: ±0.25		.XX': ±1.0'		CONNECTOR		USB TYPE C 6PIN PLUG 模具独立件	
.XXX: ±0.20		.XXX': ±0.5'		APPD.:		PART NO.:	
MAT'L.:		SEE NOTES		CHKD.:		DWG. NO.:	
FINISH:		DR.: Len.Song				SCALE: 1:1	
						PAGE: 1/1	
						UNIT: mm	
						REV.: A0	