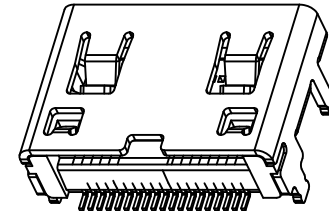
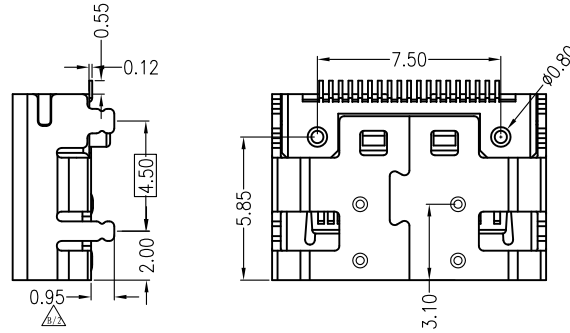
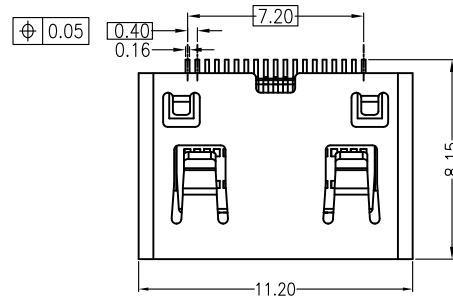
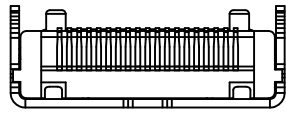
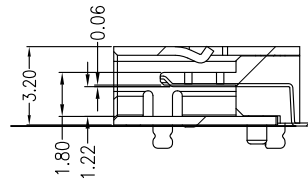
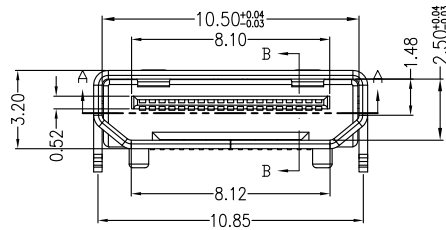


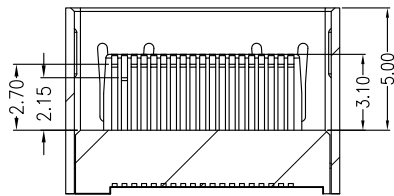
REV.	DESCRIPTION	APPD	DATE
△	外壳脚1.15改为0.95	刘静	20110308



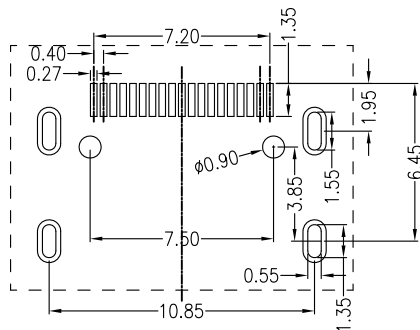
- NOTES:
- MATERIAL:
HOUSING: HIGH TEMPERATURE THERMOPLASTIC UL94V_0,COLOR:BLACK.
CONTACT: COPPER ALLOYS.
COVER: COPPER ALLOYS OR STEEL.
 - PLATING:
UNDERPLATE: NICKEL.
CONTACT AREA: GOLD OVER NICKEL.
SOLDER AREA: GOLD OVER NICKEL.
 - MULTIMEDIA CARD COMPATIBLE



SECTION B-B



SECTION A-A



RECOMMENDED P.C.B HOLE LAYOUT
COMPONENT SIDE VIEW (TOLERANCE: +/-0.05)

PART NO: HDCXX-XXXX-2000-A		MATERIAL:		深圳市金航标电子有限公司		www.kinghelm.com.cn	
LOT NO:		FINISH:		KH-HDMI-0001		0755-28190160	
UNIT: MM	SIZE: A4	COLOR:		TITLE: MINI HDMI (C TYPE) F			
TOLERANCES: X.X±0.35 X.XX±0.25 X.XXX±0.15		GENERAL ANGLE: X.X=±3.0° X.XX=±2.0°		DR: PENTIUM 0408'10		DWG NO:	
APP:		CHK:		SCALE: 1 : 1		REV:	
APP:		CHK:		SCALE: 1 : 1		SHEET: 1 OF 2	