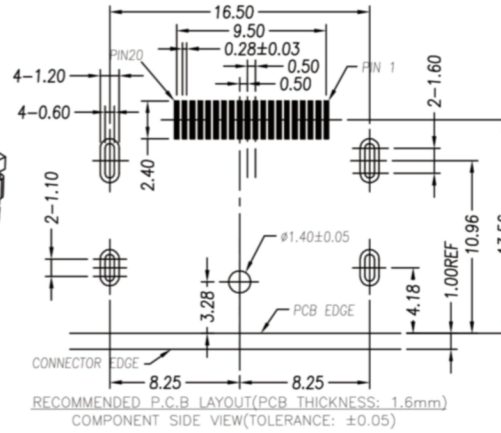
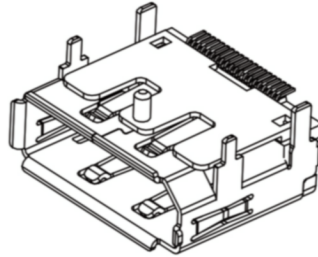
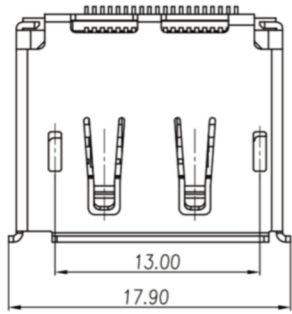


REV.	ZONE	DESCRIPTION	DESIGN	DATE
B		NEW		



NOTE:

1.MATERIAL:

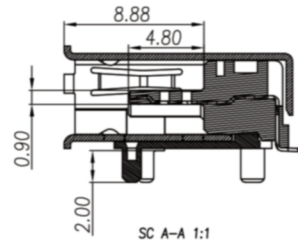
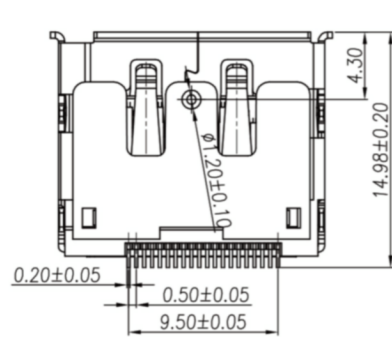
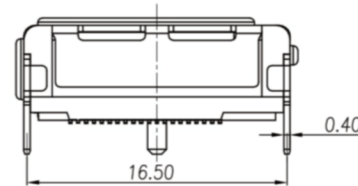
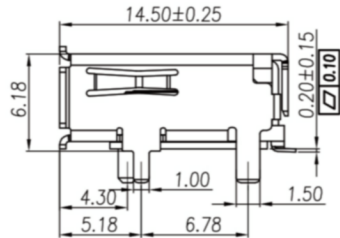
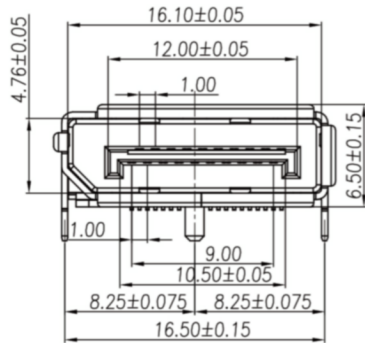
- 1.1 HOUSING: LCP, UL 94V-0 COLOR: BLACK.
- 1.2 CONTACT: C2680, T=0.20mm.
- 1.3 SHIELD: C2680, T=0.40mm.
- 1.4 COVER: LCP,UL 94V-0

2.FINISH:

- 2.1 CONTACT: GOLD(1U") PLATING IN CONTACT AREA, 50u"MIN Tin PLATED IN SOLDER AREA,50u" MIN. NICKEL UNDERPLATED OVERALL.
- 2.2 SHIELD: 50u" MIN. NICKEL UNDERPLATED OVERALL.

3.MECHANICAL CHARACTERISTICS

- 3.1 RATING CURRENT: 0.5A
- 3.2 RATING VOLTAGE: 40V
- 3.3 CONTACT RESISTANCE: 40 mΩ MAX
- 3.4 INSULATION RESISTANCE a, UNMATED: 100MΩ MIN AT 500 VDC b, MATED: 10M OHMS MIN AT 150 VDC
- 3.5 DIELECTRIC WITHSTANDING VOLTAGE: 500V AC/1MINUTE
- 3.6 DURABILITY: 10000 CYCLES.



X.	±0.50	X.*	± 2*	UNITS mm	深圳市金航标电子有限公司 www.kinghelm.com.cn	www.kinghelm.com.cn
.X	±0.30	.X.*	± 1*			
.XX	±0.10	.XX.*	± 0.5*	MAT'L	KH-DP-2. 0JB-SMT	0755-28190160
.XXX	±0.05	.XXX.*	± 0.25*			
THESE DRAWINGS AND SPECIFICATIONS ARE THE PROPERTY OF SHENZHEN BELLAIXING TECHNOLOGY CO.,LTD. AND SHALL NOT BE REPRODUCED, COPIED OR USED IN ANY MANNER WITHOUT THE PRIOR WRITTEN CONSENT OF SHENZHEN BELLAIXING TECHNOLOGY CO., LTD				FINISH	TITLE: DP 20P CONN	
					APPD:	DWG NO.:
				Q'TY	CHKD:	SCALE SHEET REV. 1/1 1/1 A1
				DR:		